

Cross-Slotted Couplings RBC ... FKC-ALU

with clamp
made of aluminium



Features

- Backlash-free, torsionally rigid Cross-Slotted Coupling
- For backlash-free drives with fast start/stop cycles
- For medium torques
- Made of aluminium 7075-T6, material no. 3.4365
- Typical applications: Servomotors, positioning systems, step motors

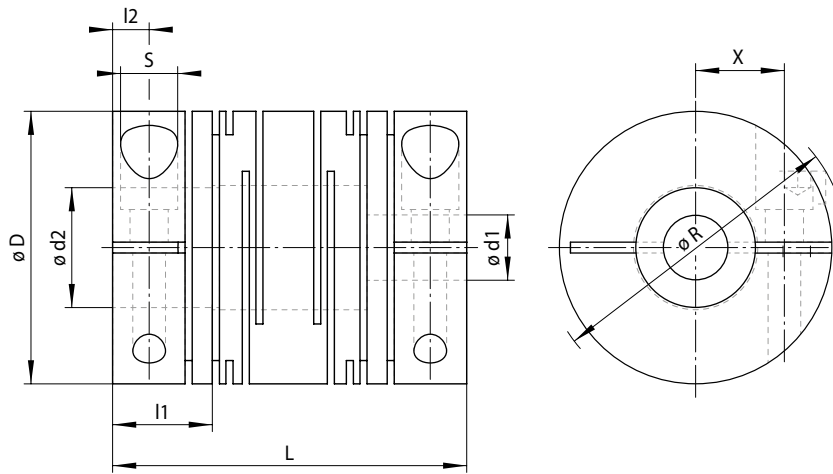
Order example

	Code
Coupling design	RBC
Coupling size	0025
Type	FKC
Material: • Aluminium	ALU
Bore diameter d1 = 10 mm	010.00
Bore diameter d2 = 8 mm	008.00

RBC 0025 FKC-ALU-010.00-008.00

Cross-Slotted Couplings RBC ... FKC-ALU

with clamp
made of aluminium



17-1

Coupling size	Standard bore combinations d1 / d2 mm	Torque constantly reversing Nm	Max. speed min ⁻¹	Stiffness Torsional stiffness Ct Nm/rad	Moment of inertia ¹⁾ x10 ⁻⁶ kgm ²	Screw tightening torque Nm	Permissible shaft misalignment		
							Axial mm	Radial mm	Angular °
0015	3 / 3	0,3	10 000	51	0,27	1,1	± 0,25	± 0,1	3
	5 / 3								
	5 / 5								
0020	4 / 4	0,5	10 000	125	1,04	2,0	± 0,25	± 0,1	3
	6 / 4								
0025	6 / 6	1,0	10 000	261	2,73	2,0	± 0,25	± 0,15	3
	8 / 6								
	8 / 8								
	10 / 6								
	10 / 8								
0030	10 / 10	2,0	10 000	441	7,36	4,7	± 0,25	± 0,15	3
	12 / 10								
	12 / 12								

Bore tolerance: 0/+ 0.05 mm; Shaft tolerance (recommended): - 0.005/- 0.013 mm

¹⁾ Values based on the smallest bore diameter

Coupling size	D	L	l1	l2	S	R	X	Weight ¹⁾
	mm	mm	mm	mm	mm	mm	mm	g
0015	15	24	6,3	3,0	M2,5	17,5	5,0	9
0020	20	28	7,9	3,8	M3	-	5,4	20
0025	25	30	8,0	3,8	M3	-	7,7	33
0030	30	38	10,3	5,0	M4	-	9,1	60

¹⁾ Values based on the smallest bore diameter

Other sizes and designs with special bores (including inch dimensions) on request