



33-1

Features

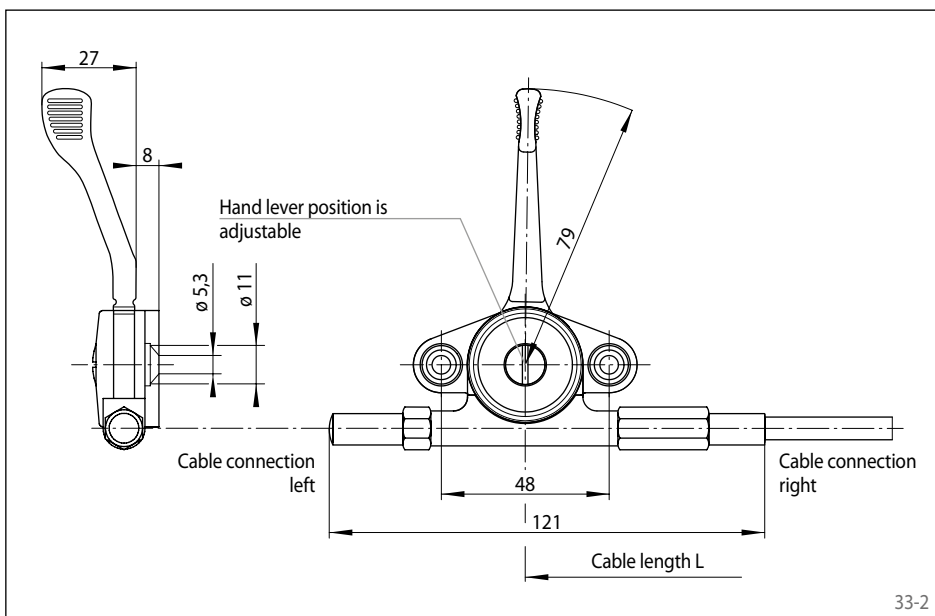
- Sensitive regulation
- With friction
- For highly flexibly push/pull cables

Cable size U, travel code 2

The control lever offers with its operating lever and the fine tunable friction the best prerequisite for sensitive adjustments, such as speed regulation of motors/hand throttle; with RCS® push/pull cables size U.

Maximum loads on the cable

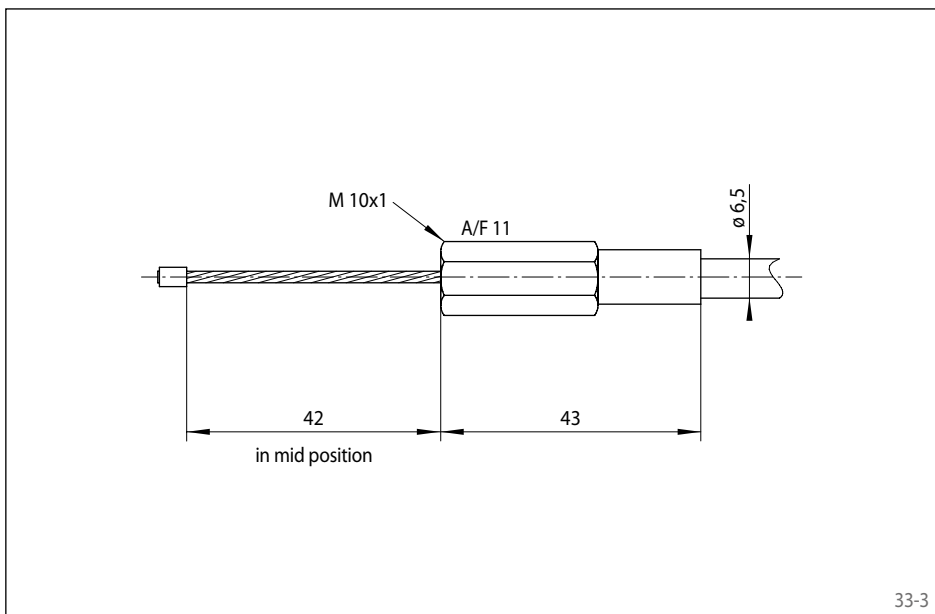
Cable size U:	80 N
Maximum holding force:	80 N
Travel of the cable:	48 mm
Lever transmission:	1:4,3
Lever swiveling angle:	171°



33-2

Art.-No.:	Cable connection:
4561-002000-L00000	left
4561-002000-R00000	right

For more information on the design of the cable ends, see page 11 to 13.



33-3

Cable end MGD for connection to control lever 16RFA7.2