



36-1

## Features

- Sensitive regulation
- With friction (adjustable)
- Travel 80 mm
- For push/pull cables 275-V and pull only cable 278-V

## Maximum loads on the cable

Cable size 275/278-V: 500 N pull

Cable size 275-V: 50 N push

Maximum holding force: 250 N

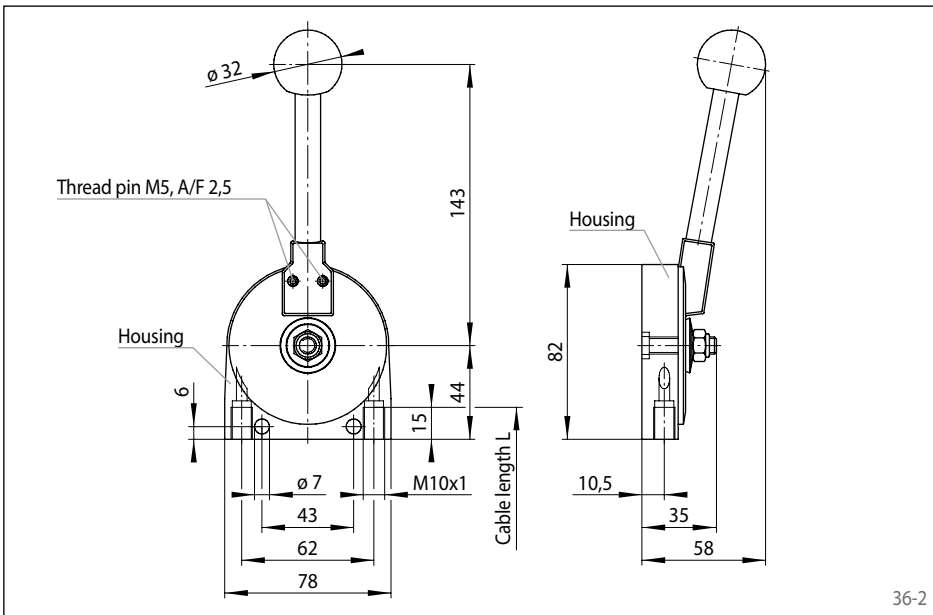
Travel of the cable: 80 mm

Lever transmission: 1:4,4

Lever swiveling angle: 152°

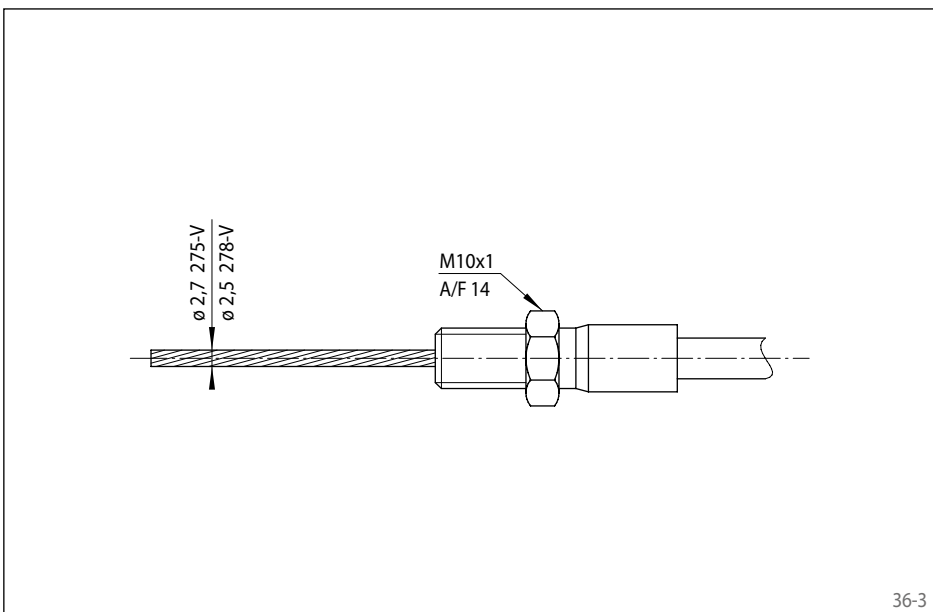
Art.-No.: 4561-003021

For more information on the design of the cable ends, see page 11 to 13, as well as page 39.



36-2

## Cable end MGS for connection to friction control FH 22.1



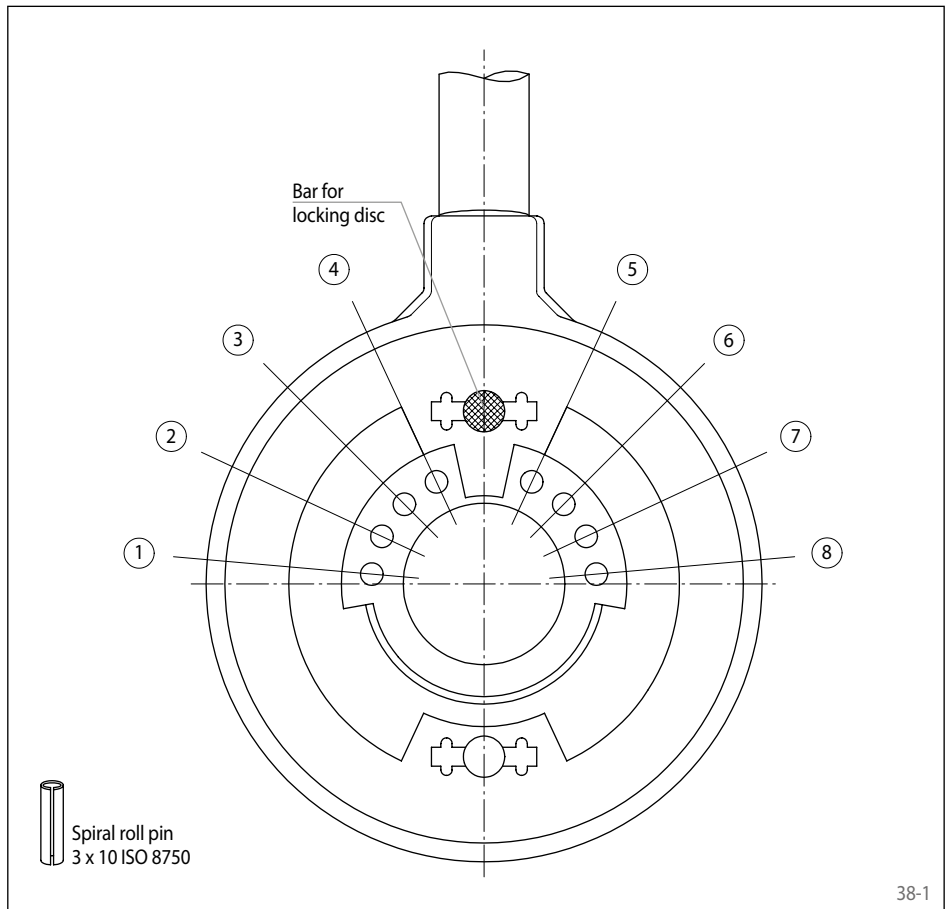
36-3

# Accessories for friction control FH 22.x

## Locking

- Locking for FH 22.3 with a bar and locking disc
- Travel limiting using clamping pin(s)
- Adjustable friction

For more information on the design of the cable ends, see page 11 to 13.



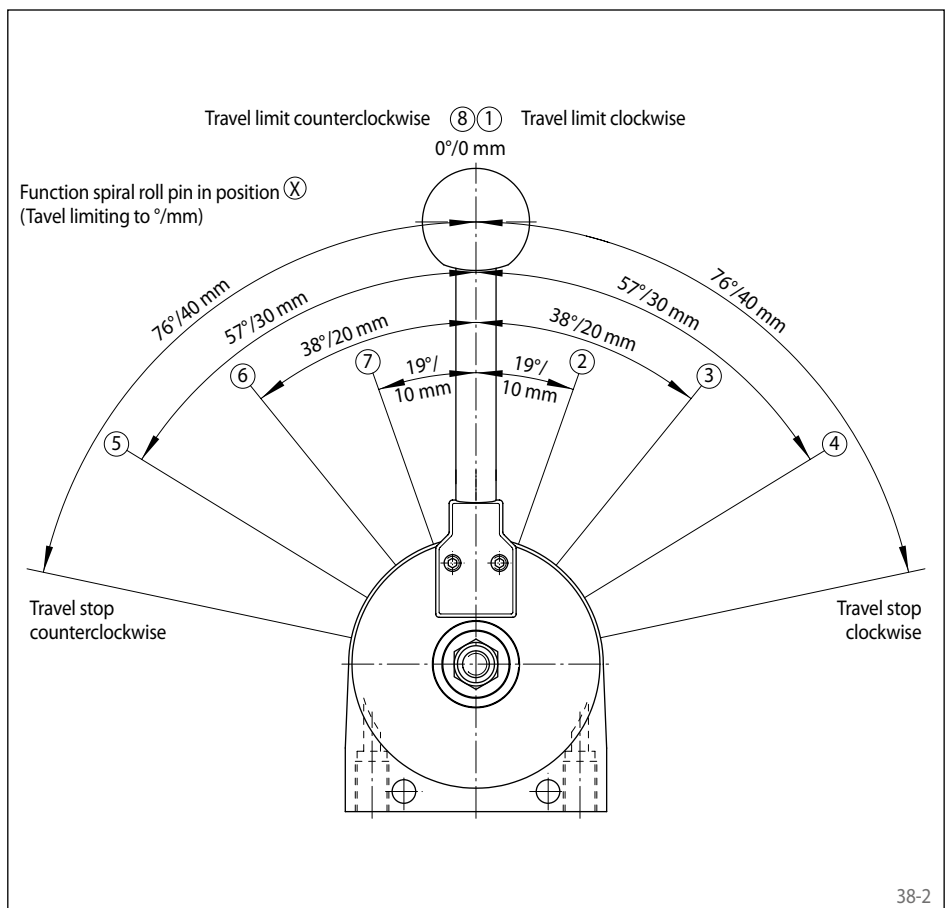
## Travel limiting

From center position lever end stops after  $78^\circ = 40 \text{ mm}$  cable travel clockwise and counterclockwise.

The lever end stops can be reduced individually in 10 mm steps with spiral roll pins.

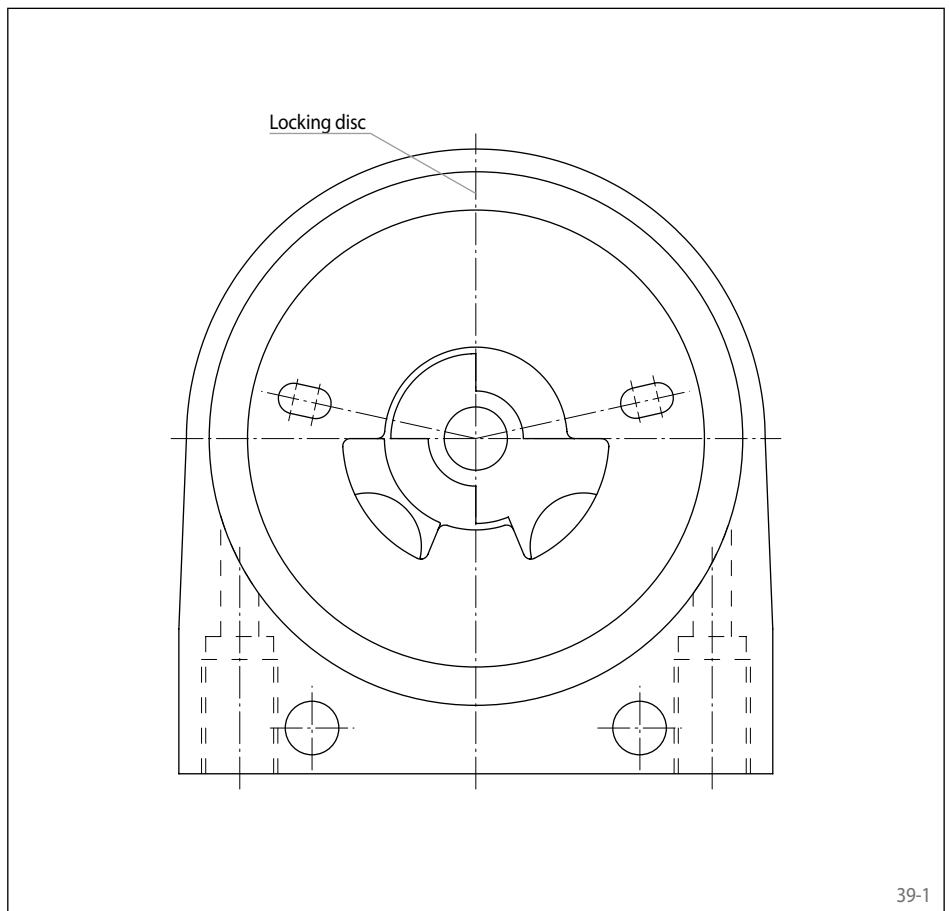
Example:

Pin position	Travel	Direction
④ + ⑤	+/-30 mm	symmetrical
③ + ⑥	+/-20 mm	symmetrical
② + ⑦	+/-10 mm	symmetrical
⑧	+40 mm	clockwise
①	-40 mm	counterclockwise



**Locking**

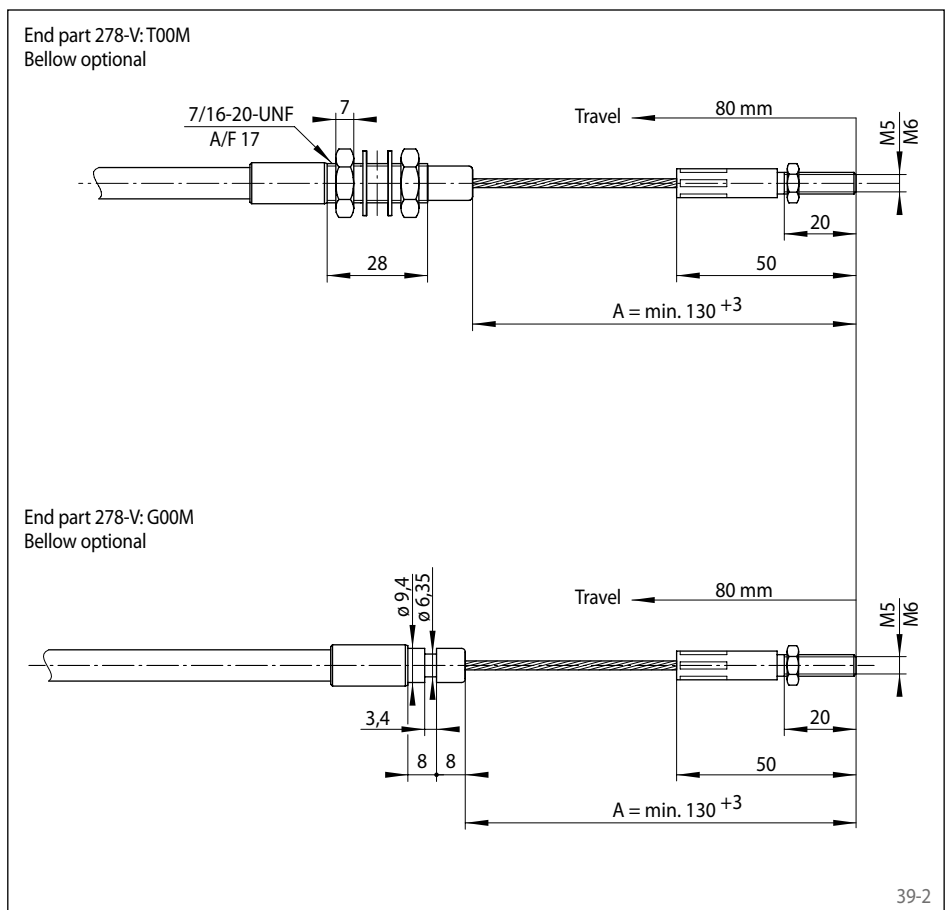
- Clear locking of the hand lever in the locking position of the disc
- Standard locking position in end positions  $\pm 76^\circ$
- Other locking positions up on request



39-1

**Open ends**

- Pulling strands made from stainless steel
- Sealing available with optional bellow



39-2