

Express Push/Pull cable

with T-Grip



Issue 08/2017 · Technical details subject to change without notice.

E07.012e



Express Push/Pull cable with T-Grip 284-V-NL/T05M-3

RINGSPANN®

for transmission of pull and push forces by advanced bowden cable

Features

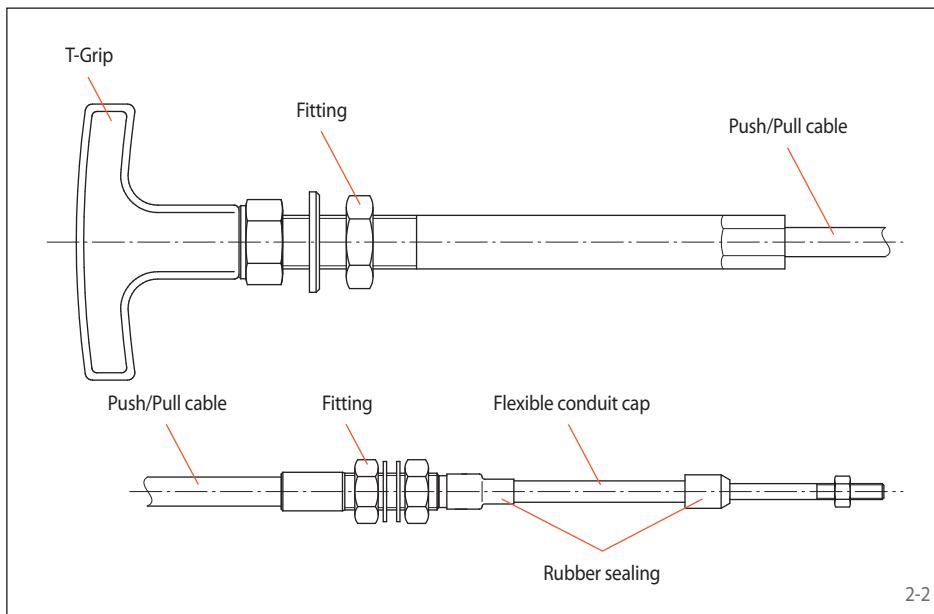
- Push force: 200 N (~ 20 kg)
- Pull force: 250 N (~ 25 kg)
- Travel: 76 mm (~ 3 inch)
- Bending radius: 51 mm
- Low slip-stick effect thanks to teflon coated inner member
- Aluminum T-Grip cap, connection thread M10x1
- Stainless steel connection part
- M5 thread on moving end part
- Diameter of cable fixture: 12 mm (7/16-20 UNF threads, nuts included)
- Seals for protection against dirt, dust and moisture



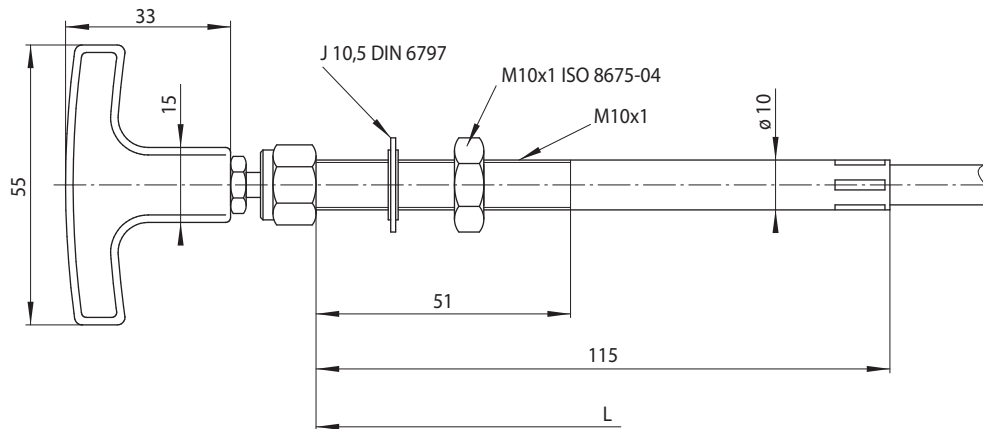
Setup

A flat wire-reinforced inner member is located in a conduit, which is formed by an inner-lying inner tube and specially arranged longitudinal wires (linear wire stranding). The linear wires are supported and fixed by a support wire winding. A plastic extrusion covers the conduit. For the universal connection of elements, the inner member and conduit are supported with pressed on stainless steel end parts. The Push/Pull cables are designed for smoothly gliding and are supplied with lifetime lubrication. Effective seals protect the moving elements of the Push/Pull cables against external influences such as spray water, dust and corrosion.

We designed this cable for multi-purpose-use: stainless steel connectors for harsh environments, coating on the inner wire for particularly smooth sliding properties, lifetime lubrication and many more.



for transmission of pull and push forces by advanced bowden cable



3-1

Length L cm	Article number
100	4582-102931-S30100
150	4582-102931-S30150
200	4582-102931-S30200
300	4582-102931-S30300

Other features

- Original RCS®-conduit layout with longitudinal wires enforced by flat wire spirals allowing small bending radii and high robustness
- Flexible Bowden cable to transmit push and pull forces with T-grip
- Spatial separation of in- and output
 - e.g. brake release cable
 - e.g. save weight and inertia in moving systems
- Force transmission between moving parts
- Protect sensitive elements from heat, dirt and moisture

Europe

Germany

RINGSPANN RCS GmbH
Hans-Mess-Straße 7
61440 Oberursel
Germany
+49 61 72 67 68 50
info@ringspann-rcs.de
www.ringspann-rcs.com

Germany Northern region

Ingenieur-Büro Hörschgen
Hölderlinstraße 30
27753 Delmenhorst
Germany
+49 42 21 182 45
ib-hoerschgen@t-online.de
www.ib-hoerschgen.de

France

SIAM - RINGSPANN S.A.
23 rue Saint-Simon
69009 Lyon
France
+33 4 78 83 59 01
info@siam-ringspann.fr
www.ringspann.fr

Great Britain, Ireland

RINGSPANN (U.K.) LTD.
3, Napier Road
Bedford MK41 0QS
Great Britain
+44 12 34 34 25 11
info@ringspann.co.uk
www.ringspann.co.uk

Italy

RINGSPANN Italia S.r.l.
V.le A. De Gasperi, 31
20020 Lainate (MI)
Italy
+39 02 93 57 12 97
info@ringspann.it
www.ringspann.it

Netherlands, Belgium, Luxembourg

RINGSPANN Benelux B.V.
Nieuwenkampsmaten 6-15
7472 De Goor
Netherlands
+31 547 2613-55
info@ringspann.nl
www.ringspann.nl

Norway

I D Transmisjoner AS
Stålfjæra 12
0975 Oslo 11
Norway
+47 22 64 215 0
jk002@online.no
www.transmisjon.no

Austria, Hungary, Slovenia

RINGSPANN Austria GmbH
Kleegasse 9
2624 Breitenau
Austria
+43 26 35 624 46
info@ringspann.at
www.ringspann.at

Sweden, Finland, Denmark, Norway, Baltic states

RINGSPANN Nordic AB
Industrigatan 7
61933 Trosa
Sweden
+46 156 190 98
info@ringspann.se
www.ringspann.se

Switzerland

RINGSPANN AG
Sumpfstrasse 7
6300 Zug
Switzerland
+41 41 748 09 00
info@ringspann.ch
www.ringspann.ch

Spain, Portugal

RINGSPANN IBERICA S.A.
C/Uzbina, 24-Nave E1
01015 Vitoria
Spain
+34 945 22 77-50
info@ringspann.es
www.ringspann.es

Asia

China, Taiwan

**RINGSPANN Power Transmission
(Tianjin) Co., Ltd.**
No. 21 Gaoyan Rd.
Binhai Science and Technology Park
Binhai Hi-Tech Industrial
Development Area
Tianjin, 300458
P.R. China
+86 22 59 80 31 60
info.cn@ringspann.cn
www.ringspann.cn

India, Bangladesh, Nepal

**RINGSPANN Power Transmission
India Pvt. Ltd.**
GAT No: 679/2/1
Village Kuruli, Taluka Khed
Chakan-Alandi Road
Pune - 410501
India
+91 2135 677 500
info@ringspann-india.com
www.ringspann-india.com

America

USA, Canada, Mexico, Chile, Peru

RINGSPANN Corporation
10550 Anderson Place
Franklin Park, IL 60131
U.S.A.
+1 847 678-35 81
info@ringspanncorp.com
www.ringspanncorp.com

Africa and Middle East

Maghreb, West Africa

SIAM - RINGSPANN S.A.
23 rue Saint-Simon
69009 Lyon
France
+33 4 78 83 59 01
info@siam-ringspann.fr
www.ringspann.fr

South Africa, Sub-Saharan

**RINGSPANN Transmission
Components (Pty) Ltd.**
96 Plane Road Spartan
Kempton Park
P.O. Box 8111 Edenglen 1613
South Africa
+27 11 394 18 30
info@ringspann.co.za
www.ringspann.co.za